

**When the power goes out, will the generator start?**

Not to worry.

# Generator **Self-test** Verifier®

**Now with LCD display and many new features for increased functionality and value!**

**WARNING  
EXERCISE FAILURE**

Easy to use, multifunction GSV300 verifies that the generator self-test was performed.

**WARNING  
GEN START FAIL**

detects if the generator fails to start after a power failure.

**GENERATOR  
RUNAWAY!**

detects if the generator is on for longer than one hour while the prime power is also on.

**TIME FOR  
OIL CHANGE**

serves as an oil change indicator and a generator run-time-hours meter.

**Verify...and know.**



[www.GeneratorVerifier.com](http://www.GeneratorVerifier.com)

# Generator **Self-test** Verifier



**A 2x16 character LCD screen displays the status of over 15 functions and events and allows the user to enter all setup parameters.**

**GSV300 features solid state technology and advanced design to assure performance and reliability. The Generator Self-test Verifier is a patent-pending, UL listed device and is backed by a one-year warranty.**



GSV300 SYSTEM OK	This screen is shown after the RESET button is pressed and everything is OK.	
WARNING EXERCISE FAILURE	↔ PRESS RESET TO CLEAR ALARM	These screens are shown if an exercise cycle fails to start. The display will cycle between the two screens shown every two seconds until the RESET button is pressed.
WARNING GEN START FAIL	↔ PRESS RESET TO CLEAR ALARM	These screens are shown if the power fails and the generator does not start. The display will cycle between the two screens shown every two seconds until the RESET button is pressed.
GENERATOR RUNAWAY!	↔ PRESS RESET TO CLEAR ALARM	These screens appear should the generator run for one hour while prime power is present, that is, the generator is on and didn't shut off when prime power came back on. The beeper will be in alarm state during generator runaway.
TIME FOR OIL CHANGE	↔ PRESS RESET TO CLEAR ALARM	These screens appear when an oil change is needed. The beeper "chirps" until an oil change is made and the GSV300 is reset.
WARNING REPLACE BATTERY		This screen is shown when the internal battery power gets low. The beeper "chirps" every 10 seconds during the low battery condition, regardless of beeper mode (mute/normal).
TOTAL RUN TIME 000034 HR 22 MIN		Total number of run-time-hours.
NEXT RUN BEFORE 07 DAYS 23 HRS		Countdown until next alarm. The GSV300 will alarm if the generator does not start.
EXERCISE CYCLE NUM DAYS: 07		Number of days between exercise cycles. The installer will set this to one day more than the generator is programmed for.
LAST RESET 11/01/2006 03:42 PM		Date and time when RESET was last pressed.
NUM GOOD RUNS 0002		Number of good exercise cycles.
NUM BAD RUNS 0001		Number of bad exercise cycles, i.e., number of times the alarm has come on.
GEN FREQUENCY 60 HZ		Frequency of generator while running
GEN VOLTMETER A120 B120 C122		Voltage of A/B/C leads.
VOLTAGE LIMITS LO: 095V HI: 135V		High and low valid exercise voltages.

# The Generator Self-test Verifier supports all makes and models, all voltages, all phases and all auto-start exercise programs.

## If the power goes out, will your generator be ready?

Backup generators are designed to start up at regular intervals in order to "exercise" the engine and generator. The purpose is to be ready and able when needed. But, how do you know if the exercise was not successful? Without the GSV, you don't. You'll learn of the problem when it's too late: when the power has failed and you need your generator immediately.

## Now, verification can be performed automatically and reliably.

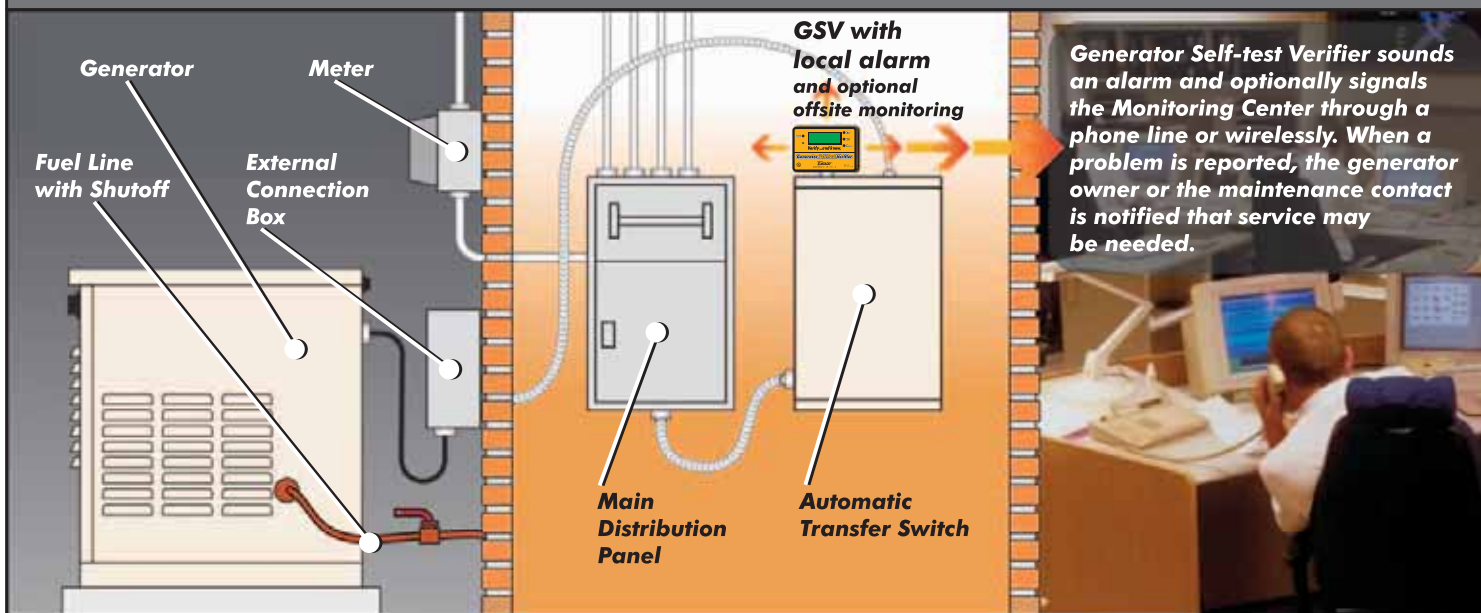
The Generator Self-test Verifier (GSV) makes sure you'll know immediately if your generator is not performing as it should. Every time the generator runs its self-test, the GSV monitors the test, making sure your backup power system is performing properly. If it doesn't produce the power it should, the GSV immediately sounds an audible alarm, and it won't stop until you reset the alarm.

## Let us give you peace of mind.

It is an alarming fact that during a recent widespread power outage, less than half of the stand-by generators in the affected area started as expected. Have the Generator Self-test Verifier installed with the optional remote monitoring package and you'll know that you're in that "Not to Worry" group of owners who are confident their generators will perform when needed.

**1-866-660-3900**

## How it works when the generator auto-start self-test exercise isn't successful



**Outside** Test cycle exercise is initiated

**Inside** GSV determines test is unsuccessful

**Offsite** Alarm is triggered

## And what if no one hears the alarm?

When the GSV's alarm sounds, it closes a set of contacts that can be wired to your security system to alert you or your monitoring center. No security system? With an optional module, and for a modest monthly monitoring charge, the GSV will notify our Monitoring Center if there is a problem. For remote locations without phone service, a wireless notification device is available.

## Not to worry.

When an emergency such as a power outage occurs, the last thing you want is another problem. The purpose of a backup generator is to be ready for such emergencies. With the GSV, you'll have the confidence and peace of mind that your backup power will be there when you need it. Not to worry. The GSV helps you verify...and know.

## Test. Monitor. Report.

**Generator runaway is an undesirable and potentially costly malfunction. Although it may have many causes, the best way to detect and correct it is to include a GSV300 in every backup generator installation. The peace of mind and protection gained are an essential addition to any owners maintenance effort.**

[www.GeneratorVerifier.com](http://www.GeneratorVerifier.com)

**Simple to install and use.  
Licensed electrician recommended.**

**When the power goes out,  
will the generator start?**

**Verify...and know.**

Not to worry.

Test.

Monitor.

Report.

## Generator **Self-test** Verifier

### Optional offsite monitoring

Off-site monitoring is available to all GSV users. The Generator Self-test Verifier is shipped ready to add the component necessary to use this optional service. Auxiliary contacts inside the GSV300 are used to install a land-line (hardwire) or wireless digital communicator that will report up to four failed tests to the Monitoring Center.

To have the GSV monitored, customers will need to purchase one of two types of digital communicators from Transtar Products.

The types are:

Land-line (hardwire) digital communicator:  
Requires a telephone line.

Wireless digital communicator:  
This communicator works over the airwaves, thus allowing the most isolated location to have protection.

The digital communicator arrives programmed and ready to install. After connecting a few wires and phoning the Monitoring Center, a technician will assist in establishing service and setting up your account. Thereafter, the GSV/communicator combination will report to the Monitoring



### Monitoring Center



### Optional autodialer



Center whenever the generator installation needs attention. The Monitoring Center looks for and alerts the designated contact whenever the following events occur:

- failure of the auto-start exercise
- failure of the generator to start
- failure of the generator to shut down after prime power is restored
- failure to change oil at the prescribed time

Monitoring Center personnel will immediately provide you and/or the maintenance/service company with a clear, detailed message whenever the generator installation requires service. For your peace of mind, the Monitoring Center is staffed around the clock to provide continuous coverage. As a customer, you can rest assured that whether you are in town or out of town your generator will get service when needed.

See our website or call for land-line (hardwire) or wireless digital communicator charges and quarterly monitoring fees.

Monitoring is by Transtar Security and Technologies, Toledo, Ohio, USA.

**Order online!**

[www.GeneratorVerifier.com](http://www.GeneratorVerifier.com)

**1-866-660-3900**



Transtar Products, L.L.C.  
767 Warehouse Road  
Toledo, OH 43615  
1-866-660-3900